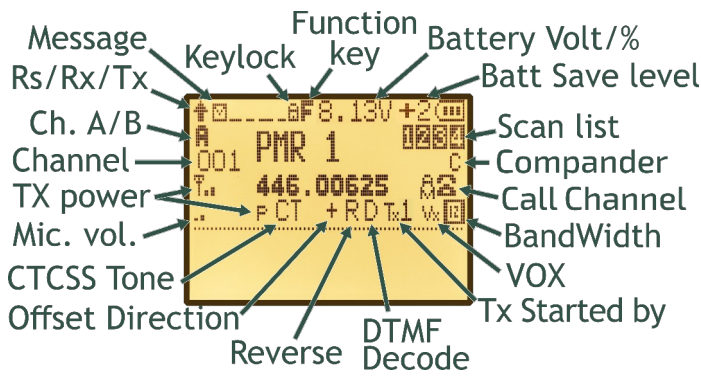


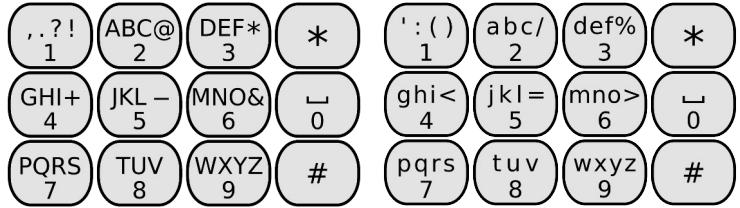


PREPPERADIO



Message: F + M / MENU
 * : Change the letter case.
L1 Deletes a character.
V : Scroll through the 3 pages.
^ : Copy messages.
In Messages:
^ : Scroll and message selection.
M / MENU : Reply and send the msg.
Settings:
M / MENU and * : edit Settings.

Scanny/Spectrum: F + * Scan
 1,2,3 and 4 start or stop scanning the lists.
F + VFO/MR switch from Channels to Frequencies.
8 R change Resume type.
^ V increases or decreases RSSI.
5 Monitor.
0 FM Excludes a channel or frequency (X).
F + ^ V changes the scanning direction.
F + 4 FC Fast Copy function.
M / MENU = Scan pause.
^ V manually move between frq.
PTT copy frequency on the main screen.
*** Scan** switches between Spectrum ↔ Scanny.



Contact = Selective Call : F + 9Call
PTT To make a selective call to a single user.
9Call To make a selective group call.
My ID: max. 10 digits. from 0 → 9. (0 = unreachable, with 10 digits, the first not >3)
F + M / MENU Send a message to the contact using Messagy

Function of short-press keys

M / MENU	Menu access. Modify and Memorise (Save) Settings. In Scan = Pause. Reply and send Message .
EXIT	Goes back through the menus. Stops scanning and FM radio.
* Scan	Activates the string for entering a DTMF sequence. Changes the character in write mode.
F#	Activates the secondary functions of the keys. EXIT to clear it.

Function of long-press keys

F#	Keypad lock. → A padlock appears at the top and the words 'Long F to unlock'.
L1	LED torch. 3 modes: ON, flashing and SOS.
L2	BANDWIDTH Adjusts the bandwidth. 25k 12.5k 6.25k

Function of keys associated with F (F# Activates secondary key functions.)

F + M / MENU	Activates Message . Copy ID from Contacs to Messagy. ID: 1 → 254. To 255: sends msg to all.
F + 1 Band	Built-in Guide, Help (V3 and K1 only)
F + 2 A/B	Switches between channel A and channel B.
F + 3 VFO/MR	Switches memory or VFO modes.
F + 4 FC	Call up the Call channel.
F + 5 NOAA	Clears selective call information.
F + 6 H/M/L	Power selection: x p L M H, these initials appear below the frequency.
F + 7 VOX	Activates or deactivates VOX. A Vx appears below the frequency.
F + 8 R	(Reverse) In Duplex, reverses freq Rx and freq Tx, an R appears below the frequency.
F + 9 Call	Opens the Contact section for selective calls.
F + * Scan	Opens the Scan and Spectrum function.
F + 0 FM	Radio FM broadcasting.